



## Eyebolt Townley Grade 8

### Product information

Grade 8 Eyebolts.

**General:**

- Increased load rating in the axial direction
- Stamped with WLL F2
- Larger internal eye diameter
- Long shanks available on request

**Material:** Alloy

**Temperature range:** -10°C up to 200°C

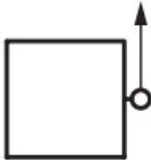
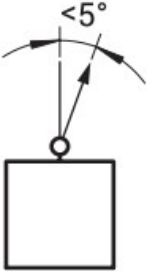
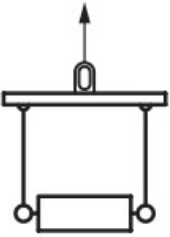

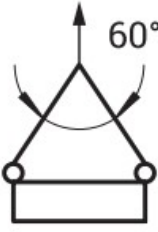
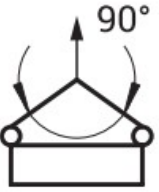
**Finish:** Powder Coated Green

**Safety factor:** 4:1

**Grade:** 8

Part Code	WLL ton	B mm	C mm	D mm	E mm	G mm	L mm	Weight (kg)
421100080770	0.8	27	30	12	48	10	21	0.17
421100100770	1	27	30	12	48	10	21	0.17
421100160770	1.6	27	30	12	48	10	21	0.17
421100400770	4	34	34	15	56	14	28	0.37
421100600770	6	41	40	17	70	16	35	0.6
421100800770	8	50	50	20	85	18	42	1.1
421100800775	8	50	50	20	85	18	42	1.1
421101200770	12	60	60	26	105	26	52	2.6

## Technical data

Nominal thread size	Single eyebolt or eyenut		Pair of eyebolts or eyenuts			
	Transverse (t)	Axial (t)	Transverse (t)	Maximum included angle 30° (t)	Maximum included angle 60° (t)	Maximum included angle 90° (t)
						

Load Factor		0.25	1.0	0.5	1.25	0.8	0.5
M08	5/16"	0.20	0.80	0.40	1.00	0.64	0.40
M10	3/8"	0.25	1.00	0.50	1.25	0.80	0.50
M12	1/2"	0.40	1.60	0.80	2.00	1.28	0.80
M16	5/8"	1.00	4.00	2.00	5.00	3.20	2.00
M20	3/4"	1.50	6.00	3.00	7.50	4.80	3.00
M22	7/8"	1.75	7.00	3.50	8.75	5.60	3.50
M24	1"	2.00	8.00	4.00	10.00	6.40	4.00
M27	1 1/8"	2.00	8.00	4.00	10.00	6.40	4.00
M30	1 1/4"	3.00	12.00	6.00	15.00	9.60	6.00
M33	-	3.25	13.00	6.50	16.25	10.40	6.50
M36	1 1/2"	4.00	16.00	8.00	20.00	12.80	8.00
M42	1 3/4"	6.00	24.00	12.00	30.00	19.20	12.00
M48	2"	8.00	32.00	16.00	40.00	25.60	16.00

# Blueprint

