

Eyebolt Townley Grade 4 Coarse



Product information

Grade 4 Eyebolts from Townley

General:

- General Lifting
- Stamped with WLL F2
- Long shanks available on request
- Different thread types available on request

Material: Mild Steel

Temperature range: 0°C up to 200°C

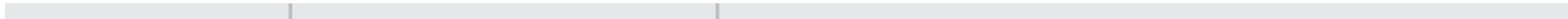
Finish: Black – Self Coloured

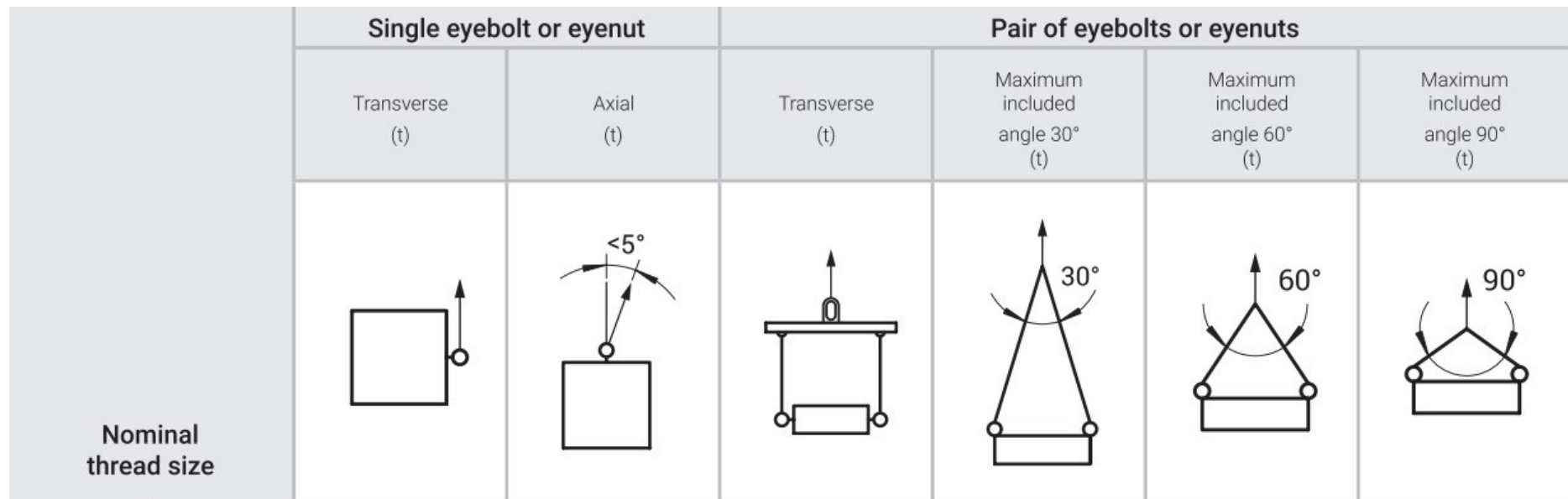
Safety factor: 6:1

Grade: 4

Part Code	WLL ton	Thread	A mm	B mm	C mm	D mm	E mm	F mm	Weight (kg)
421100000840	0	M06	6	21	14	9	19	17	0.06
421100000841	0	M08	8	21	14	9	19	17	0.06
421100030840	0.25	M10	10	21	14	9	19	17	0.06
421100040840	0.4	M12	12	28	18	11	24	22	0.15
421100040845	0.4	M14	14	35	24	15	31	27	0.28
421100080840	0.8	M16	16	35	24	15	31	27	0.28
421100080845	0.8	M18	18	42	29	16	35	40	0.46
421100160840	1.6	M20	20	42	29	16	35	40	0.46
421100200840	2	M22	22	50	33	20	41	41	0.85
421100250840	2.5	M24	24	57	38	22	48	42	1.1
421100250845	2.5	M27	27	71	48	28	65	52	2.1
421100400840	4	M30	30	71	48	28	65	52	2.1
421100500840	5	M33	33	71	48	28	65	52	2.2
421100630840	6.3	M36	36	86	54	33	73	63	3.7
421100700840	7	M39	39	86	54	33	73	64	3.7
421100800840	8	M42	42	102	68	40	90	79	6.3
421101000840	10	M48	48	115	76	49	99	89	9.5
421101500840	15	M56	56	143	97	56	124	116	19.5
421102000840	20	M64	64	143	97	56	124	116	19.5
421102500840	25	M72	72	163	106	66	140	125	29
421103000840	30	M76	76	163	106	66	140	125	29

Technical data





Loading Factor		0.25	1.0	0.5	1.25	0.8	0.5
M10	3/8"	0.06	0.25	0.12	0.31	0.20	0.12
M12	1/2"	0.10	0.40	0.20	0.50	0.32	0.20
M16	5/8"	0.20	0.80	0.40	1.00	0.64	0.40
M20	3/4"	0.40	1.60	0.80	2.0	1.28	0.80
M22	7/8"	0.50	2.0	1.00	2.5	1.60	1.00
M24	1"	0.62	2.5	1.25	3.1	2.0	1.25
M30	1 1/8"	1.00	4.0	2.0	5.0	3.2	2.0
M33	1 1/4"	1.25	5.0	2.5	6.3	4.0	2.5
M36	-	1.57	6.3	3.1	7.9	5.0	3.1
M39	1 1/2"	1.75	7.0	3.5	8.8	5.6	3.5
M42	1 3/4"	2.0	8.0	4.0	10.0	6.4	4.0
M48	2"	2.5	10.0	5.0	12.6	8.0	5.0
M56	2 1/4"	3.7	15.0	7.5	18.9	12.0	7.5
M64	2 1/2"	5.0	20.0	10.0	25	16.0	10.0
M72	-	6.2	25.0	12.5	31	20	12.5
M76	3"	7.5	30.0	15.0	37	24	15.0

Blueprint

